



TJ 5000

THE STANDARD IN STRENGTH AND PERFORMANCE

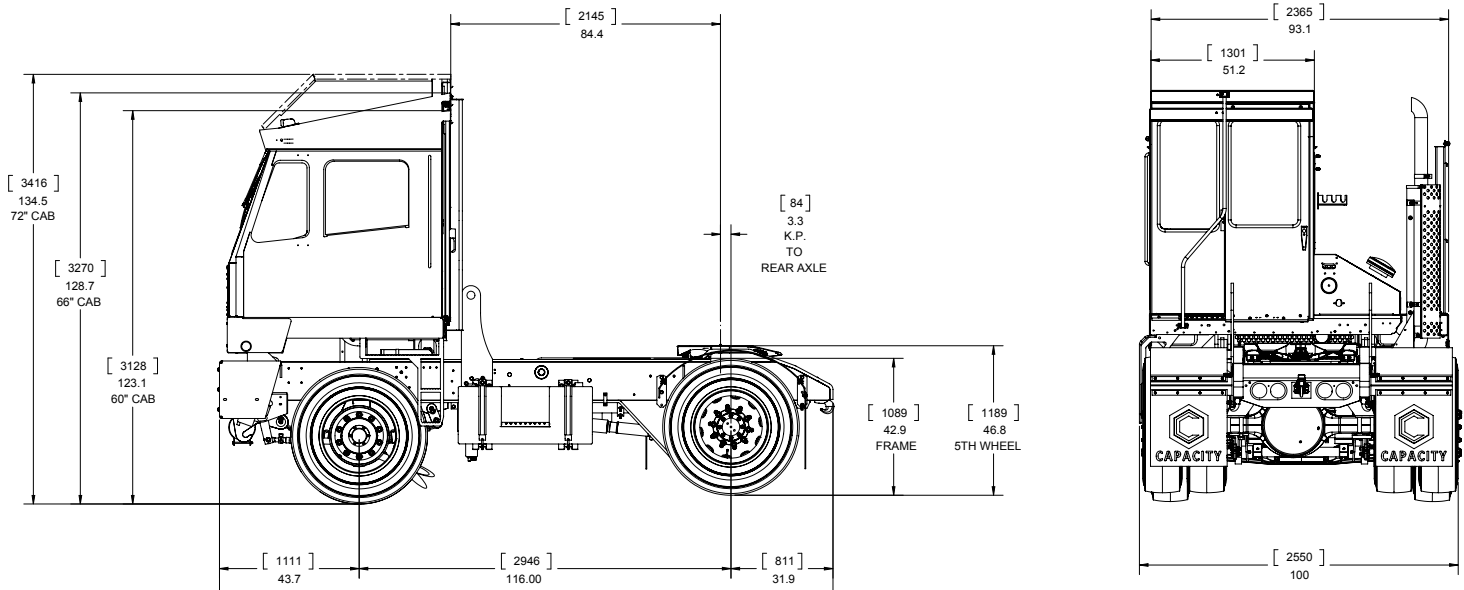
Capacity Terminal Trucks are built to outperform and outlast the competition. The TJ Series is available in a fully DOT-certified on-highway model and an off-highway model. The TJ 5000 is capable of moving trailers up to 81,000 GCWR and is perfect for warehouse and distribution applications.

The TJ 5000 off-highway model is designed to move trailers within protected facilities, most often in warehousing environments.

For an over-the-highway option, the DOT-certified model meets all DOT requirements for operating on public roads. Built with a variety of street-legal features, it delivers superior versatility and strength. Capacity is **ISO 9001 Certified**.



**DESIGN LEADER
RUGGED STRENGTH
PROVEN POWER**



SPECIFICATIONS

Engine	Cummins ISB6.7L 200 Horsepower, 2400 RPM Turbocharged and Charge Air Cooled	Cab	66" Ergo Cab, All-Steel Construction
Transmission	Allison RDS 3500	Cab Suspension	4-Point Air Ride Cab
Front Axle	Meritor FF-961 12,000 lbs. Capacity	HVAC	Air Conditioning w/45,000 BTU Heater/Defroster
Rear Axle	Meritor RS24-160 7.17:1 Ratio 30,000 lbs. Terminal Rating	Electrical	12V, Multiplex Electrical System
Suspension	Dura-Ride Air Suspension or Rigid Suspension	Telematics	Capacity Vision Telematics
5th Wheel	JOST JSK37Y - 50,000 lbs. Lift Capacity	Gauges	J1939 Digital Gauges
Cylinders	5" Diameter; 16" Lift Height	Worklights	LED Worklights, Marker Lights, Rear/Stop Lights and Back-Up Lights
GCVW	81,000 lbs.	PRP	CORSOL PRP, Corrosion Polymer Coating
Frame	Fully Welded Structural "C" Channel	Paint	5-Year, Prorated Paint Warranty
Warranty	2-Year/6,000 Hour Warranty (Whichever occurs first)	Frame Warranty	7-Year/25,000 Hours (Whichever occurs first)