



# TJ 6500

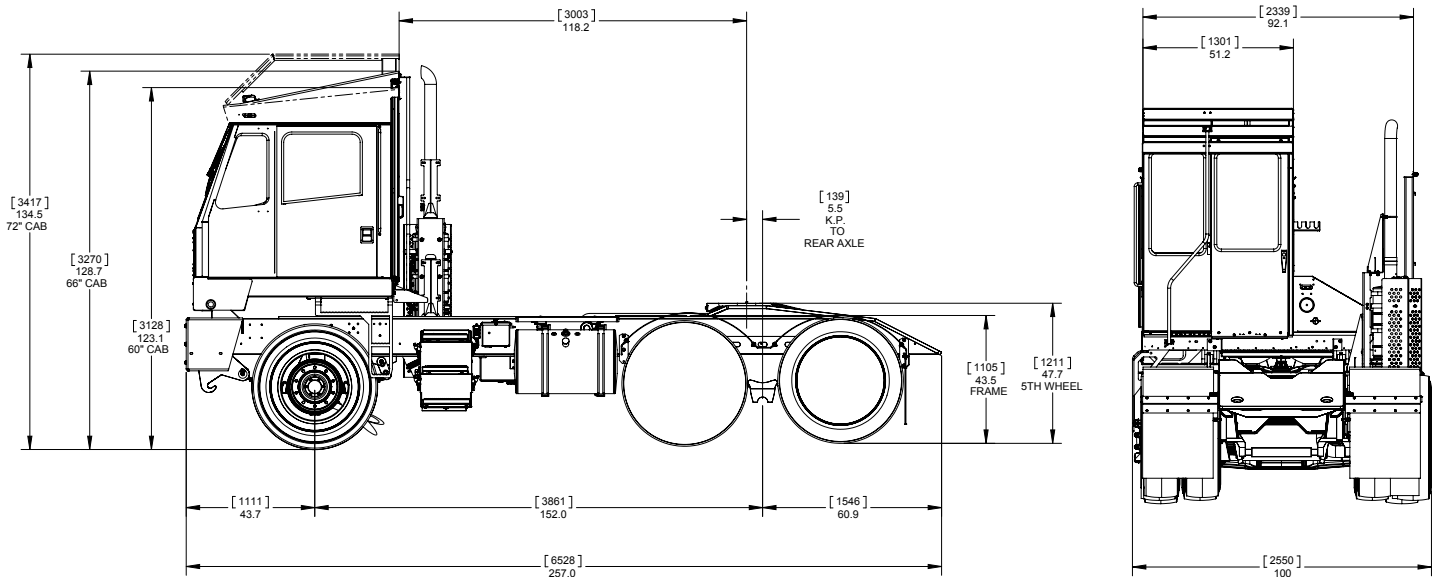
## A SERIOUS WORKHORSE THAT GETS THE JOB DONE

Every Capacity truck that rolls off the line is designed and engineered with one goal in mind: to maximize uptime. From the one-piece structural steel frame to the interior of the cab, every inch of this TJ 6500 is designed to deliver brains and brawn.

The TJ 6500 features a tandem axle and a GCVWR of up to 125,000 pounds, making it the perfect Trailer Jockey for off-highway warehouse use or any work area with less-than-ideal surface conditions. The available DOT-certified model is a reliable workhorse for day-to-day, over-the-road operations. Capacity is **ISO 9001 Certified**.



DESIGN LEADER  
RUGGED STRENGTH  
PROVEN POWER



## SPECIFICATIONS

<b>Engine</b>	Cummins ISB6.7L 200 Horsepower, 2400 RPM Turbocharged and Charge Air Cooled	<b>Cab</b>	66" Ergo Cab, All-Steel Construction
<b>Transmission</b>	Allison RDS 3500	<b>Cab Suspension</b>	4-Point Air Ride Cab
<b>Front Axle</b>	Meritor FF-961 12,000 lbs. Capacity	<b>HVAC</b>	Air Conditioning w/45,000 BTU Heater/Defroster
<b>Rear Axle</b>	Tandem Meritor MT44-145 7.17:1 Ratio 40,000 lbs. Terminal Rating	<b>Electrical</b>	12V, Multiplex Electrical System
<b>Suspension</b>	Hendrickson Tandem Suspension	<b>Telematics</b>	Capacity Vision Telematics
<b>5th Wheel</b>	JOST JSK37Y - 50,000 lbs. Lift Capacity	<b>Gauges</b>	J1939 Digital Gauges
<b>Cylinders</b>	5" Diameter; 16" Lift Height	<b>Worklights</b>	LED Worklights, Marker Lights, Rear/Stop Lights and Back-Up Lights
<b>GCVW</b>	125,000 lbs.	<b>PRP</b>	CORSOL PRP, Corrosion Polymer Coating
<b>Frame</b>	Fully Welded Structural "C" Channel	<b>Paint</b>	5-Year, Prorated Paint Warranty
<b>Warranty</b>	2-Year/6,000 Hour Warranty (Whichever occurs first)	<b>Frame Warranty</b>	7-Year/25,000 Hours (Whichever occurs first)