



# TJ 9000

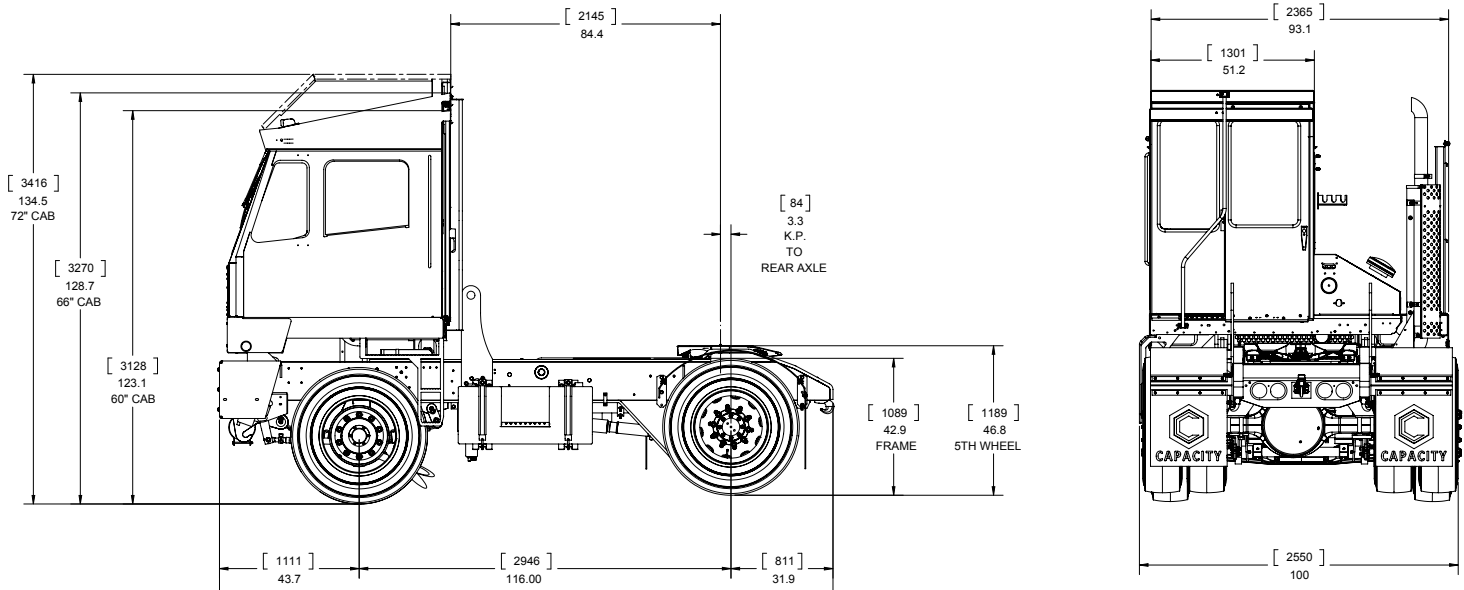
## A MOUNTAIN OF PURE MUSCLE

Take one look at a Capacity Terminal Tractor and you'll see the ultimate power player designed for maximum uptime. From the one-piece structural steel frame to the interior of the all-steel cab, every aspect of the TJ 9000 is engineered to meet the needs of the biggest jobs.

The TJ 9000 is ideal for extra-heavy-duty applications, capable of moving up to 242,000 pounds and available in off-road and DOT specifications. When combined with our proprietary Dura-Ride® suspension system, the TJ 9000 helps protect the operator, truck and payload in the most demanding applications. Capacity is ISO 9001 Certified.



DESIGN LEADER  
RUGGED STRENGTH  
PROVEN POWER



## SPECIFICATIONS

<b>Engine</b>	Cummins ISB6.7L 200 Horsepower, 2400 RPM Turbocharged and Charge Air Cooled	<b>Cab</b>	66" Ergo Cab, All-Steel Construction
<b>Transmission</b>	Allison RDS 3500	<b>Cab Suspension</b>	4-Point Air Ride Cab
<b>Front Axle</b>	Meritor FL-941 16,000 lbs. Capacity	<b>HVAC</b>	Air Conditioning w/45,000 BTU Heater/Defroster
<b>Rear Axle</b>	Meritor MOR-32 12.28:1 Ratio 70,000 lbs. Terminal Rating	<b>Electrical</b>	12V, Multiplex Electrical System
<b>Suspension</b>	Hendrickson Tandem Suspension	<b>Telematics</b>	Capacity Vision Telematics
<b>5th Wheel</b>	JOST JSK37Y - 50,000 lbs. Lift Capacity	<b>Gauges</b>	J1939 Digital Gauges
<b>Cylinders</b>	5" Diameter; 16" Lift Height	<b>Worklights</b>	LED Worklights, Marker Lights, Rear/Stop Lights and Back-Up Lights
<b>GCVW</b>	125,001 to 242,000 lbs.	<b>PRP</b>	CORSOL PRP, Corrosion Polymer Coating
<b>Frame</b>	Fully Welded Structural "C" Channel	<b>Paint</b>	5-Year, Prorated Paint Warranty
<b>Warranty</b>	2-Year/6000-Hour Warranty (Whichever occurs first)	<b>Frame Warranty</b>	7-Year/25,000 Hours (Whichever occurs first)